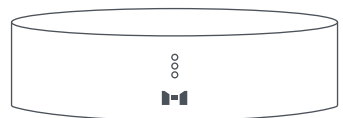




MTronic MHub



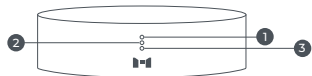
QUICK START GUIDE

EN

Product Overview 2

MTronic MHub acts as a gateway for all the MTronic smart devices in the network. It helps provision, configure, control, and communicate with the MTronic smart devices.

1. Mesh Connection Status LED
2. Wi-Fi® Availability Status LED
3. Connection Status LED
4. Power Input
5. Reset Button



MHub's Status LED

Status LED	Description
Blinking	In detection state
Stable Blue Light	Connected

Package Contents/Supplies Required 3

The package consists of the following items:

1. MTronic MHub x1
2. Warranty Card x1
3. Quick Start Guide x1



You would require a USB Type-C cable to power the MTronic MHub.



Safety Instructions 4

⚠ Danger!
Note about hazard

⚠ Warning!
Note about potential hazard

DOs

- ⚠ Make sure that the power cable is plugged tightly into the device.
- Place the device in a conveniently accessible environment to ensure an easy access for other MTronic smart devices.
- Make sure that the device is within the range of Wi-Fi® connection.
- Operate the device only within indoor environments to keep it sheltered from all weather conditions.
- Make sure that the cable connecting the power supply with device is no longer than 3 meters in length.

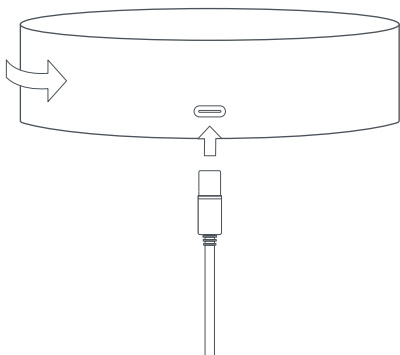
Safety Instructions 5

DON'Ts

- ⚠ **The device must not be used in an explosive atmosphere.**
- ⚠ Do not open the device by yourself nor use it if any of its parts is broken.
- ⚠ Do not allow children to play with the device or its packaging as its plastic film and small components may pose a choking hazard to them.
- ⚠ Do not dispose-off the device with other household garbage. It should be recycled according to the National regulations.
- Do not use a wet towel or such to clean the device.
- Do not connect a power supply higher than 15 Watts.
- Do not place the device in wet or damp areas.

Installation 6

1. Connect the power supply to the power port of the MHub using a USB Type-C cable.



Installation 7

2. Once the MHub is powered on and is within the Wi-Fi® range, it makes itself available for provisioning.
3. Navigate to MTronic Help Center (support.mtronic.pk) and follow the steps in the MHub product category to provision MHub with the application.

Note: To reset MHub, press the power button at its back for 10 seconds until the first light starts blinking.

Technical Specifications 8

Specification	Details
Item Type	Hub
Available Color	White
Material	ABS Plastic
Control Method	Wireless
Dimensions	100 x 32 mm
Input Power	5 V (USB Type-C)
Power Consumption	1 Watt
Mounting Type	Freestanding
Interface	Short-Range Mesh Technology, Wi-Fi® IEEE 802.11 b/g/n (2.4GHz)
Compatibility	Google Home, Amazon Alexa Assistant, MTronic Smart Devices
Working Temperature	-25°C ~ +50°C
Humidity	85%

Technical Specifications 9

Radio Specifications

Wireless Communication	Short-Range Mesh Technology
	Wi-Fi®
Short-Range Technology Module Frequency	2.402-2.480 GHz
Wi-Fi® Module Frequency	2.412-2.484 GHz

Antenna Properties/Antenna Gains

Short Range Mesh Technology

Transmitter Power	+9dBm
Antenna Gain	3.96 dBi

Wi-Fi®

Transmitter Power	+20dBm
Antenna Gain	3.40 dBi

Disclaimers 10

- MTronic disclaims the responsibility for any property or material damage and personal injuries caused by the incorrect installation, handling, or usage of the MTronic MHub.
- MTronic disclaims responsibility for the consequential damage caused by the opening of MTronic MHub by yourself.

