



## MTronic Smart Plug



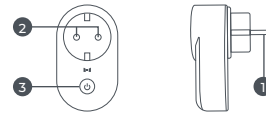
### QUICK START GUIDE

EN

## Product Overview 2

MTronic Smart Plug is a portable, smart device, designed to provide smart control over your electronic devices. It offers a plug-and-play functionality, allowing you to easily connect the switch of an electronic device to the Smart Plug, which can then be inserted into a standard socket.

- 1. Prongs
- 2. Receptacles
- 3. Power Button



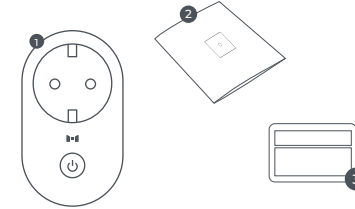
### Smart Plug's Status LED

Status LED	Description
Lights Blue	Plug is powered
Slow Blinking Blue Light	Plug is available for provisioning
Fast Blinking Blue Light for 3 Seconds	Plug is ready for unprovisioning

## Package Contents/Tools Required 3

The package consists of the following items:

- 1. MTronic Smart Plug x1
- 2. Quick Start Guide x1
- 3. Warranty Card x1



This is a plug-and-play device. No additional tool is required.

## Safety Instructions 4

<b>⚠ Danger!</b> Note about hazard	<b>⚠ Warning!</b> Note about potential hazard
---------------------------------------	--

### DOs

- Ensure that the smart plug can hold the size of the connected device's plug.
- Operate the device only within indoor environments to keep it sheltered from all weather conditions.
- ⚠ Ensure the device is properly plugged in before connecting any load to it.

## Safety Instructions 5

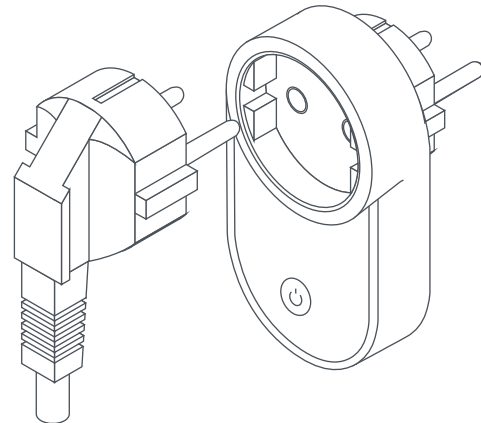
### DON'Ts

- ⚠ **The device must not be used in an explosive atmosphere.**
- ⚠ Do not open the device by yourself nor use it if any of its parts is broken.
- ⚠ Do not allow children to play with the device or its packaging as its plastic film and small components may pose a choking hazard to them.
- ⚠ Do not dispose-off the device with other household garbage. It should be recycled according to the National regulations.
- ⚠ Do not connect a device with more load than the device's capacity.
- Do not use a wet towel or such to clean the device.
- Do not place the device in wet or damp areas.

## Installation 6

1. Insert MTronic Smart Plug in your socket.
2. Plug the device you want to control into the smart plug.
3. Press the power button for 5 seconds to make it available for pairing with the MTronic MHub.
4. Navigate to MTronic Help Center (support.mtronic.pk) and follow the steps in the Smart Plug product category to provision your plug with the application.

## Installation 7



## Technical Specifications 8

Specification	Details
Item Type	Plug
Color	White
Material	Plastic
Control Method	Touch and Wireless
Dimensions	52.26 x 99.5 x 72.6 mm
Input Voltage	230 VAC, 50/60 Hz
Standby Power	< 1 Watt
Max Load Capacity	0.8 A
Interface	Short-Range Mesh Technology 5.0, IEEE 802.15.1 b/g/n
Dependency	MTronic MHub
Compatibility	Google Home, Amazon Alexa Assistant
Working Temperature	-25°C ~ +50°C
Humidity	85%

## Technical Specifications 9

### Radio Specifications

Wireless Communication	Short-Range Mesh Technology
Short-Range Technology Module	2.402-2.480 GHz
Frequency	

### Antenna Properties/ Antenna Gains

Transmitter Power	+9dBm
Antenna Gain	3.96 dBi

## Technical Specifications 10

### Disclaimers

- MTronic disclaims the responsibility for any property or material damage and personal injuries caused by the incorrect installation, handling, or usage of the MTronic Smart Plug.
- MTronic disclaims responsibility for the consequential damage caused by the opening of MTronic Smart Plug by yourself.