

MTronic Smart Plug

POWER SPECIFICATIONS

Input Power	230 VAC, 50/60 Hz
Standby Power	< 1 Watt
Max Load/Channel	Up to 10A (2300W) @ 230 VAC (Resistive Load) 0.5A @ 230 VAC (LED Load)

CONNECTIVITY SPECIFICATIONS

Mounting Type	Socket-Mount
Interface	Short-Range Mesh Technology 5.0, IEEE 802.15.1 b/g/n
Control Method	Toggle switch, Wireless
Dependency	MTronic MHub
Compatibility	Google Home, Amazon Alexa Assistant

TEMPERATURE AND HUMIDITY SPECIFICATIONS

Working Temperature	-25°C ~ +50°C
Humidity	85%

PHYSICAL SPECIFICATIONS

Item Type	Plug
Available Color	White
Material	Plastic
Dimensions	52.26 x 99.5 x 72.6 mm

RADIO SPECIFICATIONS

Radio Specifications

Wireless Communication	Short-Range Mesh Technology
Short-Range Technology Module Frequency	2.402-2.480 GHz

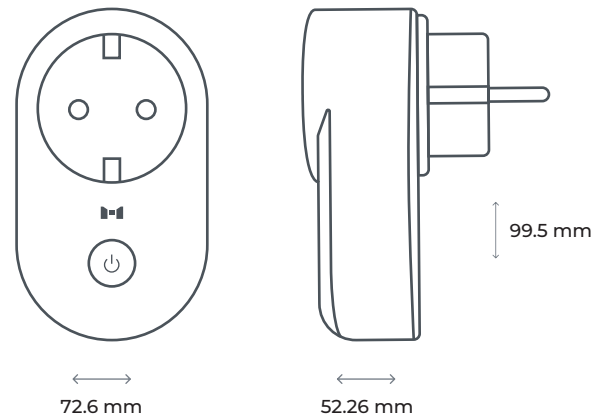
DESCRIPTION

MTronic Smart Plug is a portable, smart device, designed to provide smart control over your electronic devices. It offers a plug-and-play functionality, allowing you to easily connect the switch of an electronic device to the Smart Plug, which can then be inserted into a standard socket.

WORKS WITH

- MTronic Web Portal
- MTronic Android Application
- MTronic iOS Application

TECHNICAL DRAWING IN MM



Antenna Properties/Antenna Gains

Transmitter Power	+9dBm
Antenna Gain	3.96 dBi



IN THE BOX

- | | | | |
|----|------------------------|----|-----------------------|
| 1. | MTronic Smart Plug x 1 | 2. | Quick Start Guide x 1 |
| 3. | Warranty Card x 1 | | |

SAFETY INSTRUCTIONS

▲ Danger!
Note about hazard

⚠ Warning!
Note about potential hazard

Do's

- 1. Ensure the device is properly plugged in before connecting any load to it.
- 2. Ensure that the smart plug can hold the size of the connected device's plug.
- 3. Operate the device only within indoor environments to keep it sheltered from all weather conditions.
- 4. Use the device only under 2000m altitudes

Don'ts

- ▲ 1. The device must not be used in an explosive atmosphere.**
- ⚠ 2. Do not open the device by yourself nor use it if any of its parts is broken.
- ⚠ 3. Do not allow children to play with the device or its packaging as its plastic film and small components may pose a choking hazard to them.
- ⚠ 4. Do not dispose-off the device with other household garbage. It should be recycled according to the National regulations.
- ⚠ 5. Do not connect a device with more load than the device's capacity.
- 6. Do not use a wet towel or such to clean the device.
- 7. Do not place the device in wet or damp areas.

FAULT CORRECTION AND MAINTENANCE

Warning

Opening the device by yourself nullifies the warranty. Generally, the device is maintenance-free and would not require to be opened.