

MTronic Smart Relay

POWER SPECIFICATIONS

Working Voltage	230 VAC, 50-60 Hz
Standby Power	< 1 Watt
Max Load	L1 or L2 : LED (Externally Ballasted): Max 100W Resistive Load: Max 4A L1 & L2 : LED (Externally Ballasted): Max 200W Resistive Load: Max 8A

CONNECTIVITY SPECIFICATIONS

Interface	Short-Range Mesh Technology 5.0 , IEEE 802.15.1
Control Method	Wireless, Connected Mechanical Switches
Connector Type	Block Connector
Compatibility	MTronic MHub, Google Home, Amazon Alexa Assistant

TEMPERATURE AND HUMIDITY SPECIFICATIONS

Working Temperature	-5°C ~ +50°C
Humidity	85%

WORKS WITH

- MTronic Web Portal
- MTronic Android Application
- MTronic iOS Application

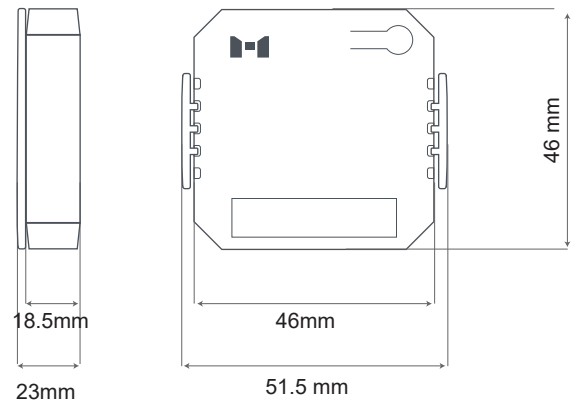
PHYSICAL SPECIFICATIONS

Item Type	Relay Switch
Available Color(s)	White
Material	Plastic
Dimensions (with mounting bracket)	51.5mm x 46mm x 23mm
Dimensions (without mounting bracket)	46mm x 46mm x 18.5mm
Channels	2

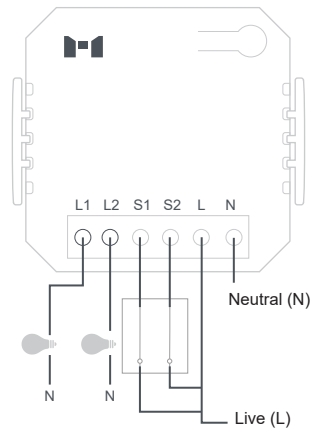
DESCRIPTION

The MTronic Smart Relay is a retrofit for your existing electrical switches to turn them into smart switches. The product comes as a small device that allows you to control the resistive load smartly. It has a button to provision and unprovision it with the MTronic MHub.

TECHNICAL DRAWING IN MM



WIRING DIAGRAM



RADIO SPECIFICATIONS

Wireless Communication	Short-Range Mesh Technology
Short-Range Mesh Technology	2.402-2.480 GHz
Frequency	

ANTENNA PROPERTIES/ ANTENNA GAINS

Transmitter Power	+9dBm
Antenna Gain	3.96 dBi

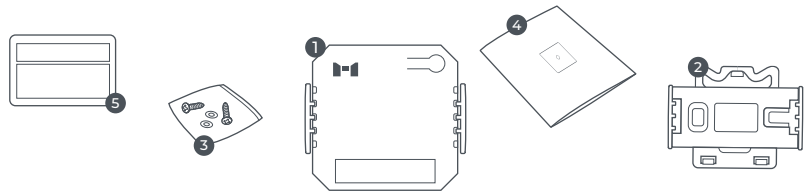


## PIN SUMMARY

PIN	Type	Description	Specification
L1	Output	Connection for the first load or the electronic device that needs to be controlled smartly via S1/MTronic MHub	800W/resistive load
L2	Output	Connection for the second load or the electronic device that needs to be controlled smartly via S2/MTronic MHub	800W/resistive load
S1	Interface	Connection for the first mechanical switch on the switchboard	One-way switch
S2	Interface	Connection for the second mechanical switch on the switchboard	One-way switch
L	Input	Connection for the Live Wire	110-230 VAC 50Hz - 60Hz
N	Input	Connection for the Neutral Wire	-

## IN THE BOX

1. 1x MTronic Smart Relay
2. 1x Mounting Bracket
3. 2x Screws
4. 1x Quick Start Guide
5. 1x Warranty Card



## SAFETY INSTRUCTIONS

**⚠ Danger!**  
Note about hazard

**⚠ Warning!**  
Note about potential hazard

## Dos

- ⚠ **Since the installation requires working with high voltages, it MUST be installed and uninstalled by an expert electrician.**
- ⚠ **Ensure there are appropriate fuse/circuit breakers installed for the space and turn them off before installation. Turn them on only after the installation is done.**
- ⚠ **Tighten or loosen the screws when no Live wire is connected.**
- ⚠ **Install the device ONLY inside the switch board.**
  - Operate the device only within indoor environments to keep it sheltered from all weather conditions.
  - Use a wire gauge to select the wire size as required. Use 26~16 AWG solid or a stranded wire preferably.
  - Wear insulation gloves, use wire nuts/electrical insulation tape to insulate the wire joints or stripped parts of the wire, and trim the extra wire to avoid electrocution and short-circuiting.
  - The connections must be made as shown in the wiring diagram.
  - Use the device only under 2000m altitudes.

## Don'ts

- ⚠ **The device must not be used in an explosive atmosphere.**
- ⚠ **If Smart Relay stops functioning, please reset the external circuit breaker of the space. Do not try to open or access the housing of the relay.**
- ⚠ **Do not open the smart relay by yourself nor use it if any of its parts is broken. Also, do not use relay if its internal fuse is broken.**
- ⚠ Do not interchangeably use the Neutral and Live wires.
- ⚠ Do not connect a load higher than the power rating of the smart relay (Refer to the technical specifications).
- ⚠ Do not dispose-off the device with other household garbage. It should be recycled according to the National regulations.
- ⚠ Do not allow children to play with the smart relay or it's packaging as its plastic film and small components may pose a choking hazard to them.

## FAULT CORRECTION AND MAINTENANCE

## Warning

Opening the device by yourself nullifies the warranty. Generally, the device is maintenance-free and would not require to be opened.