



MTronic Smart Curtain

POWER SPECIFICATIONS

Working Voltage	230 VAC, 50/60 Hz
Standby Power	< 1 Watt
Max Power	36 Watts

CONNECTIVITY SPECIFICATIONS

Interface	Short-Range Mesh Technology 5.0 , IEEE 802.15.1
Control Method	Wireless
Dependency	MTronic MHub
Compatibility	Smart Curtains Panel, Amazon Alexa Assistant

TEMPERATURE AND HUMIDITY SPECIFICATIONS

Working Temperature	-25°C ~ +50°C
Humidity	85%

MOTOR SPECIFICATIONS

Motor Length	356 mm
Motor Weight	0.8 kg
Torque	1.2 Nm
Rated Speed	90 rpm

INSTALLATION SPECIFICATIONS

Supported Window Sizes	0.92 – 4.5 m
Window Installation	Double open (Standard)
Types	Left Installation, Right Installation, and Single Open (on customization)
Bearable Fabric Load	Up to 50 kgs

PHYSICAL SPECIFICATIONS

Item Type	Smart Curtain System
Available Color(s)	White

RADIO SPECIFICATIONS

Wireless Communication	Short-Range Mesh Technology
Short-Range Mesh Technology Frequency	2.402-2.480 GHz

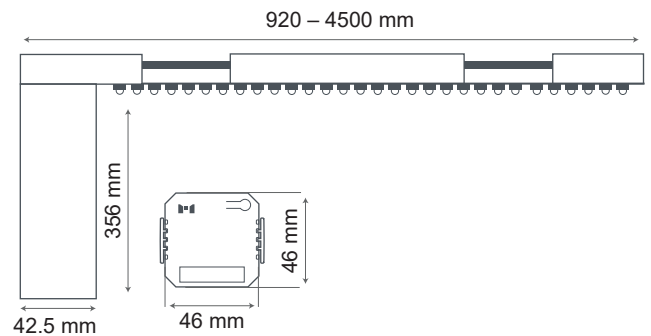
DESCRIPTION

MTronic Smart Curtain is a combination of a single traverse curtain rod, a mute curtain motor, and a relay. It is easily installable on conventional curtains to make them smart. With MTronic Smart Curtains, you can control your curtains using MTronic applications (Android, iOS, and Web portal), voice assistants (Amazon Alexa), and Smart Curtains Panel.

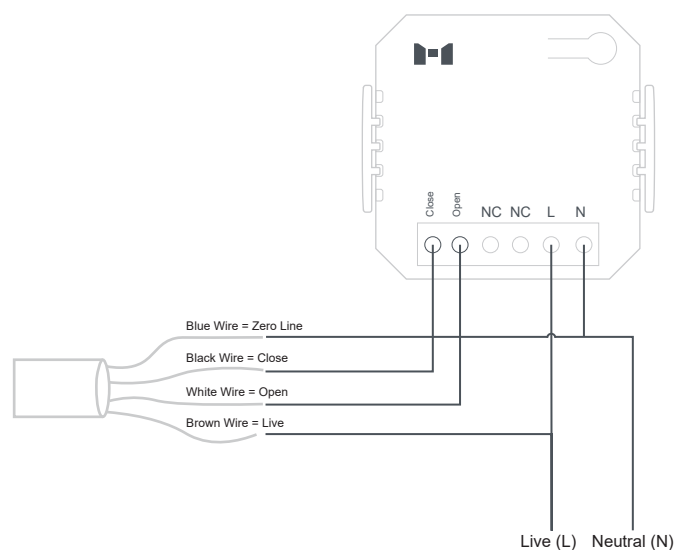
WORKS WITH

- MTronic Web Portal
- MTronic Android Application
- MTronic iOS Application

TECHNICAL DRAWING IN MM



WIRING DIAGRAM



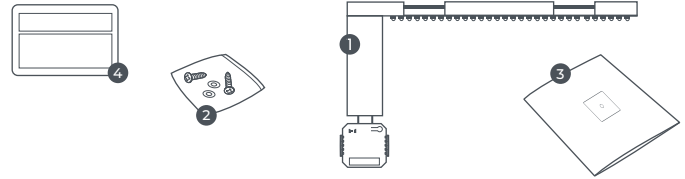
ANTENNA PROPERTIES/ ANTENNA GAINS

Transmitter Power	+9dBm
Antenna Gain	3.96 dBi



IN THE BOX

1. MTronic Smart Curtain x1
2. Screws x2
3. Quick Start Guide x1
4. Warranty Card x1



SAFETY INSTRUCTIONS

⚠ Danger!
Note about hazard

⚠ Warning!
Note about potential hazard

Dos

- ▲ 1. **Since the installation requires working with high voltages, it MUST be installed and uninstalled by an expert electrician.**
- ▲ 2. **Ensure there are appropriate fuse/circuit breakers installed for the space and turn them off before installation. Turn them on only after the installation is done.**
- ⚠ 3. **Tighten or loosen the screws when no Live wire is connected.**
4. Operate the device only within indoor environments to keep it sheltered from all weather conditions.
5. Use a wire gauge to select the wire size as required. Use 26~16 AWG solid or a stranded wire preferably.
6. Wear insulation gloves, use wire nuts/electrical insulation tape to insulate the wire joints or stripped parts of the wire, and trim the extra wire to avoid electrocution and short-circuiting.
7. The connections must be made as shown in the wiring diagram.
8. Use the device only under 2000m altitudes.

Don'ts

- ▲ 1. **The device must not be used in an explosive atmosphere.**
- ▲ 2. **If the device stops functioning, please reset the external circuit breaker of the space. Do not try to open or access the housing of the device.**
- ▲ 3. **Do not open the device by yourself nor use it if any of its parts is broken. Also, do not use relay if its internal fuse is broken.**
- ⚠ 4. Do not interchangeably use the Neutral and Live wires.
- ⚠ 5. Do not dispose-off the device with other household garbage. It should be recycled according to the National regulations.
- ⚠ 6. Do not allow children to play with the device or it's packaging as its plastic film and small components may pose a choking hazard to them.

FAULT CORRECTION AND MAINTENANCE

Warning

Opening the device by yourself nullifies the warranty. Generally, the device is maintenance-free and would not require to be opened.