

MTronic Temperature Sensor

**POWER SPECIFICATIONS**

Input Power	2 x AAA batteries
-------------	-------------------

**CONNECTIVITY SPECIFICATIONS**

Interface	Short-Range Mesh Technology 5.0, IEEE 802.15.1
Control Method	Wireless
Dependency	MTronic MHub, HVAC Touch Panel, HVAC Controller

**DETECTION SPECIFICATIONS**

Accuracy	±0.5°C
Set Temperature Range	10 to 32°C
Display Temperature Range	0 to 60°C
Temperature Units	C and F

**TEMPERATURE AND HUMIDITY SPECIFICATIONS**

Working Temperature	-25°C ~ +50°C
Humidity	85%

**PHYSICAL SPECIFICATIONS**

Item Type	Temperature and Humidity Sensor
Available Color	White
Material	Plastic
Mounting Type	Adhesive-Mount
Dimensions	29 x 69 x 19 mm

**RADIO SPECIFICATIONS**

Wireless Communication	Short-Range Mesh Technology
Short-Range Mesh Technology Frequency	2.360-2.500 GHz

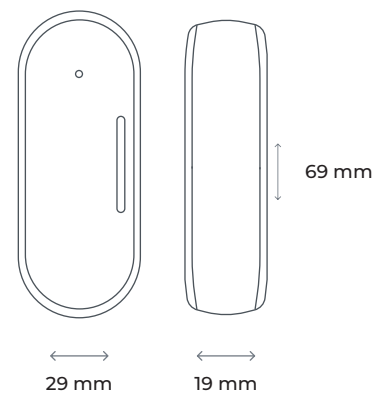
**DESCRIPTION**

MTronic Temperature and Humidity Sensor detects the present temperature and humidity level of the space. It then communicates these values to HVAC Touch Panel to complete the ecosystem of MTronic Smart Thermostat. Its dependant on HVAC Controller and HVAC Touch Panel for its functionality.

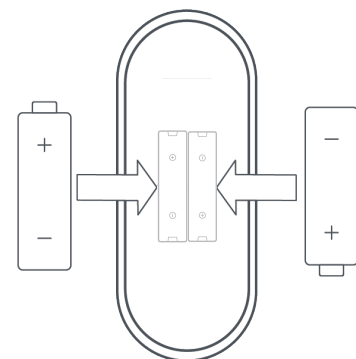
**WORKS WITH**

- MTronic Web Portal
- MTronic Android Application
- MTronic iOS Application

**TECHNICAL DRAWING IN MM**



**WIRING DRAWING IN MM**



**ANTENNA PROPERTIES/ ANTENNA GAINS**

Transmitter Power	0dBm
Antenna Gain	-0.1 dBi



## IN THE BOX

1. MTronic HVAC Touch Panel x 1
2. MTronic Temperature Sensor x 1
3. MTronic HVAC Controller x 1
4. Sticking Tape x 1
5. Screws x 2
6. Quick Start Guide x 1
7. Warranty Card x 1

## SAFETY INSTRUCTIONS

**▲ Danger!**  
Note about hazard

**⚠ Warning!**  
Note about potential hazard

### Do's

1. Make sure to add the batteries to the device as per correct terminal markings.
2. Ensure the batteries in the device are properly inserted.
3. Clean the surfaces properly where you want to stick the sensor and magnetic part.
4. Make sure both the parts are aligned parallel to each other.
5. Operate the device only within indoor environments to keep it sheltered from all weather conditions.

### Don'ts

1. **The device must not be used in an explosive atmosphere.**
2. Do not open the device by yourself nor use it if any of its parts is broken.
3. Do not allow children to play with the device or its packaging as its plastic film and small components may pose a choking hazard to them.
4. Do not dispose-off the device with other household garbage. It should be recycled according to the National regulations.
5. Do not use a wet towel or such to clean the device.
6. Do not place the device in wet or damp areas.
7. Do not lose the stickiness of mounting tape by excessive touching.

## FAULT CORRECTION AND MAINTENANCE

### Warning

Opening the device by yourself nullifies the warranty. Generally, the device is maintenance-free and would not require to be opened.